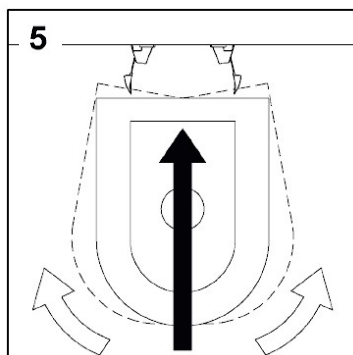
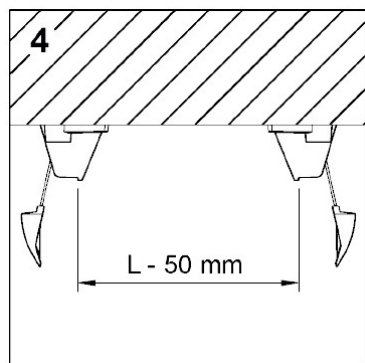
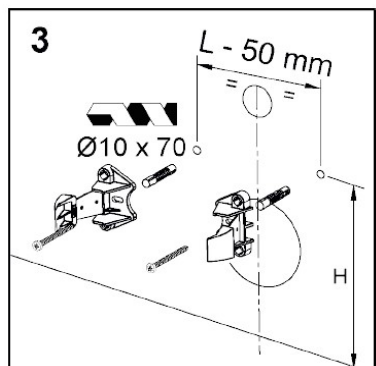
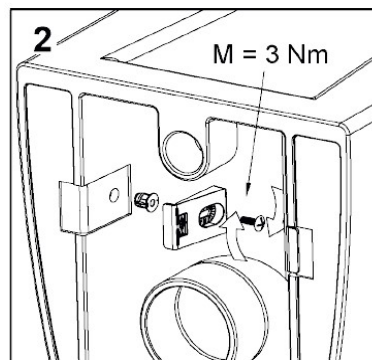
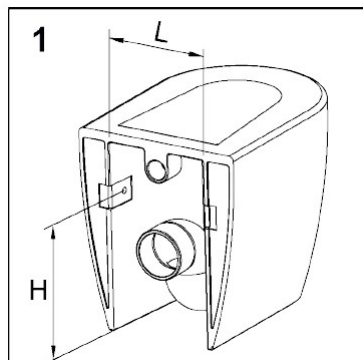


Installation sequence



Refer to AS/NZS3500.1-3500.2 for the installation

The use of the included flow reducer is strongly recommended for all installations which alternatively or simultaneously provide the following conditions:

- 1) Height (from the floor) of the center drain plate is greater than **100 cm**
- 2) Flush mechanism setting greater than **4.5 liters**

