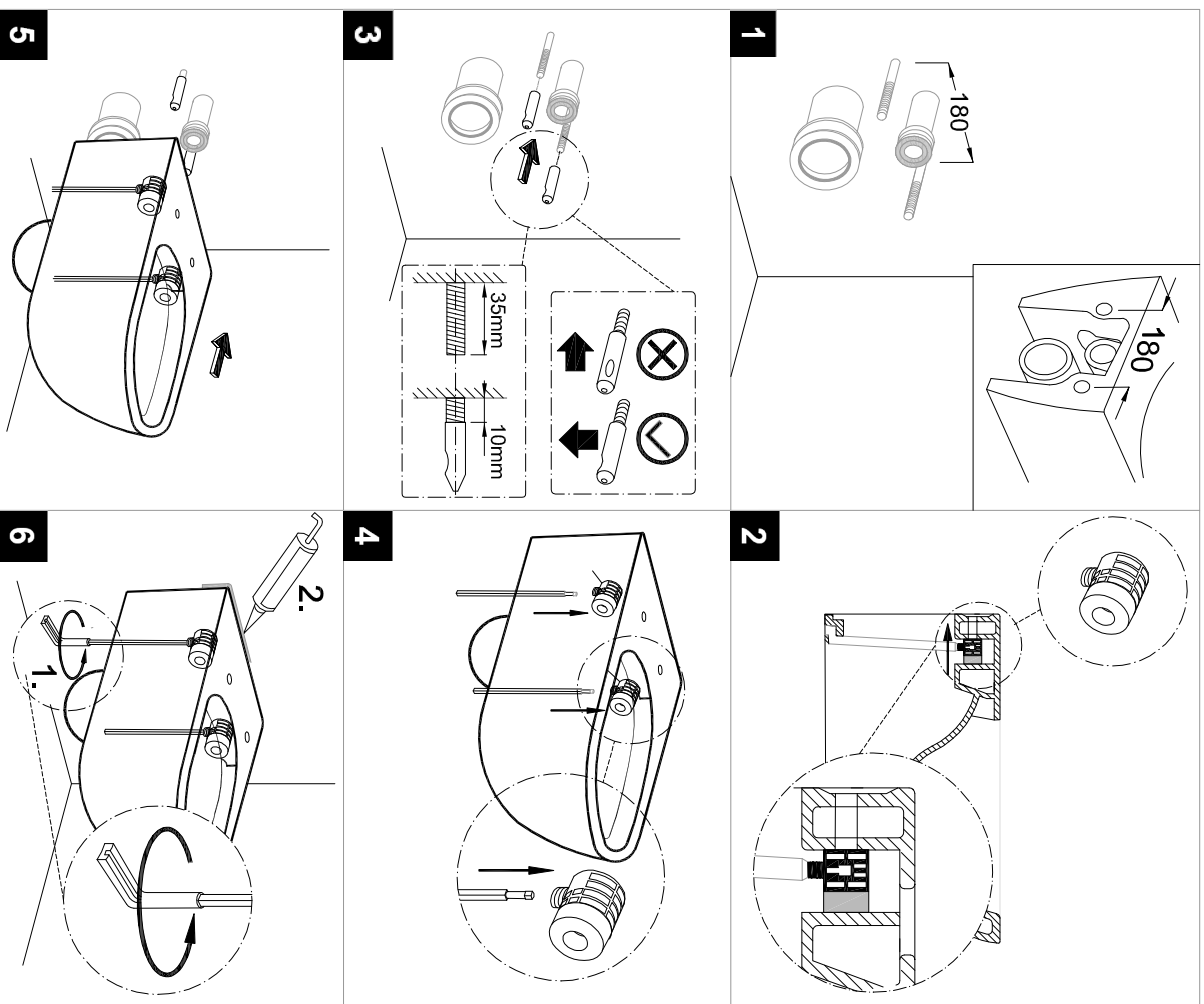


## Installation sequence



Important: adjust the cistern to 4.5 liters. If it is not possible or if the water pressure is in any case excessive, to avoid splashing water, we recommend using the flow reducer Y1ET01 (to be ordered separately).

