

# VASCHE Freestanding H-SOLID



## H-SOLID 01

Vasche Freestanding in SOLID SURFACE

Freestanding bathtubs in SOLID SURFACE



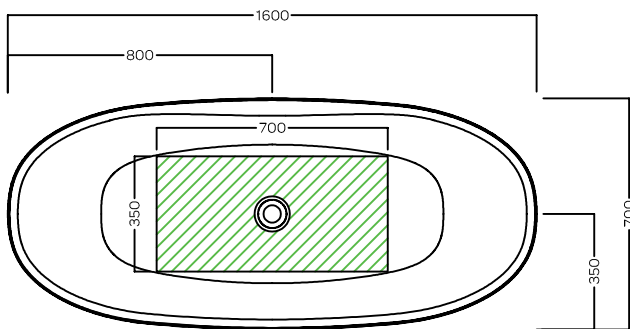
## H-SOLID 01 ST

Vasche Freestanding in SOLID SURFACE senza troppopieno

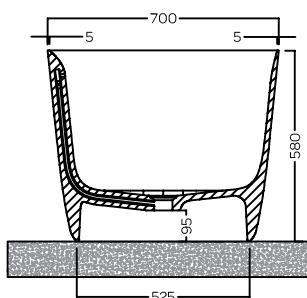
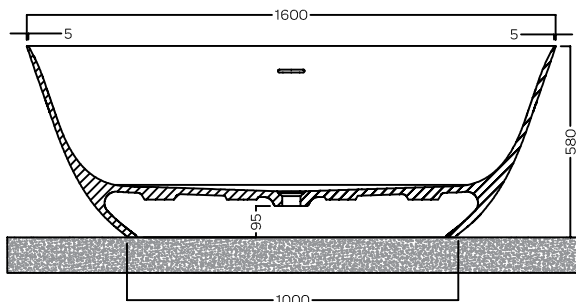
Freestanding bathtubs in SOLID SURFACE without overflow

### H-SOLID 01

1600X700X580mm



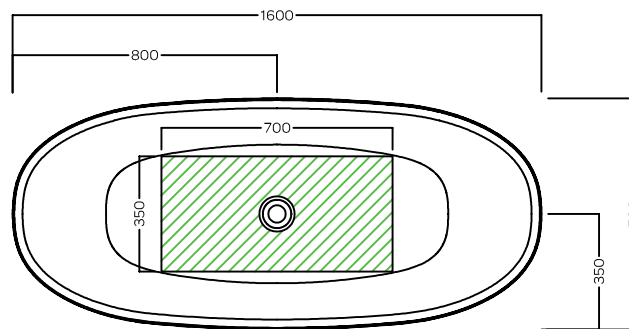
Zona posizionamento scarico - Drain positioning area



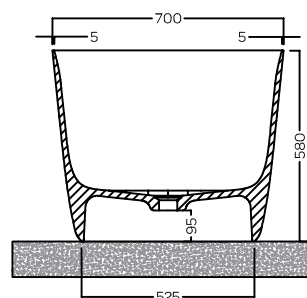
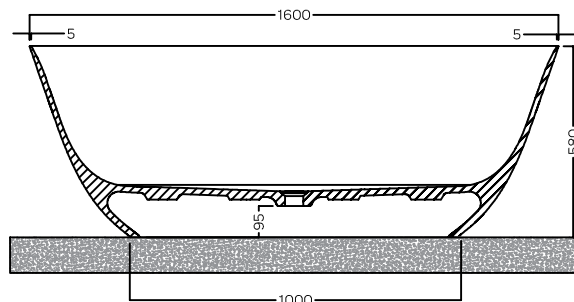
PESO NETTO/NET WEIGHT: 108 kg (238 lb)  
CAPACITÀ AL TROPPO PIENO/CAPACITY AT OVERFULL : 240 l (63 gal)

### H-SOLID 01 ST

1600X700X580mm



Zona posizionamento scarico - Drain positioning area



PESO NETTO/NET WEIGHT: 101 kg (223 lb)  
CAPACITÀ AL TROPPO PIENO/CAPACITY AT OVERFULL : 313 l (83 gal)

## ACCESSORI ACCESSORIES



Piletta per vasche H-SOLID con tappo in solid Surface

H-SOLID bath drain with solid Surface cap



Piletta per vasche H-SOLID con tappo bianco matt

H-SOLID bath drain with matt white cap

## GAMMA COLORE COLOR RANGE

